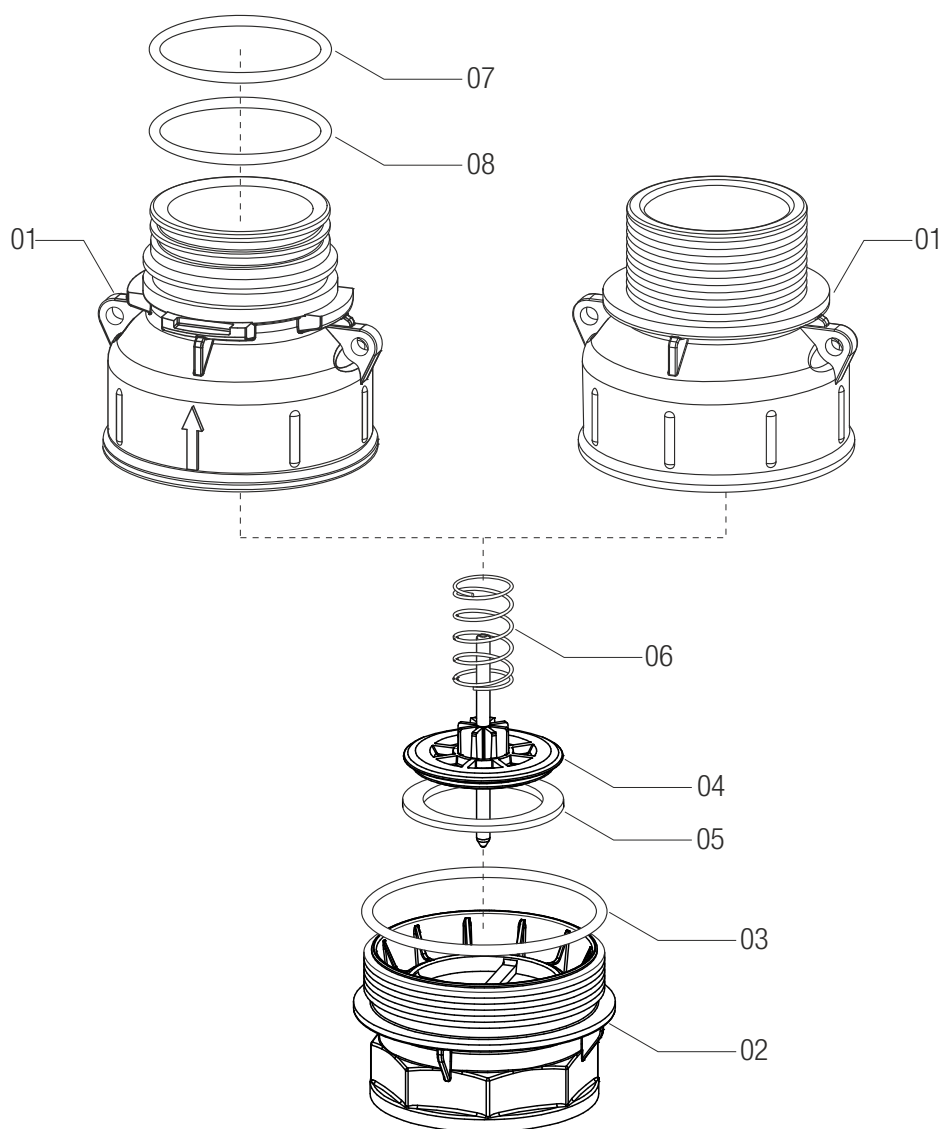


FOOT VALVE

Foot valve with upper fork male coupling and lower female threaded coupling



REFERENCE	CODE	DESCRIPTION	REFERENCE	CODE	DESCRIPTION
01	504201F.010	FEMALE FOOT VALVE BODY T7	05	G40011	FLAT GASKET 38,5X51,5X2,5 EPDM
02	5042007.020	CORPO MASCHIO VALVOLA FONDO 2"F	06	504201F.040	S/STEEL SPRING 20.0X34.0 F=1.1
03	G11022	OR 3,53X72,62 EPDM	07	G11017	OR 3,53X53,57 EPDM
04	504201F.030	FOOT VALVE T7 PLUNGER	08	G11017	OR 3,53X53,57 EPDM