

CODE

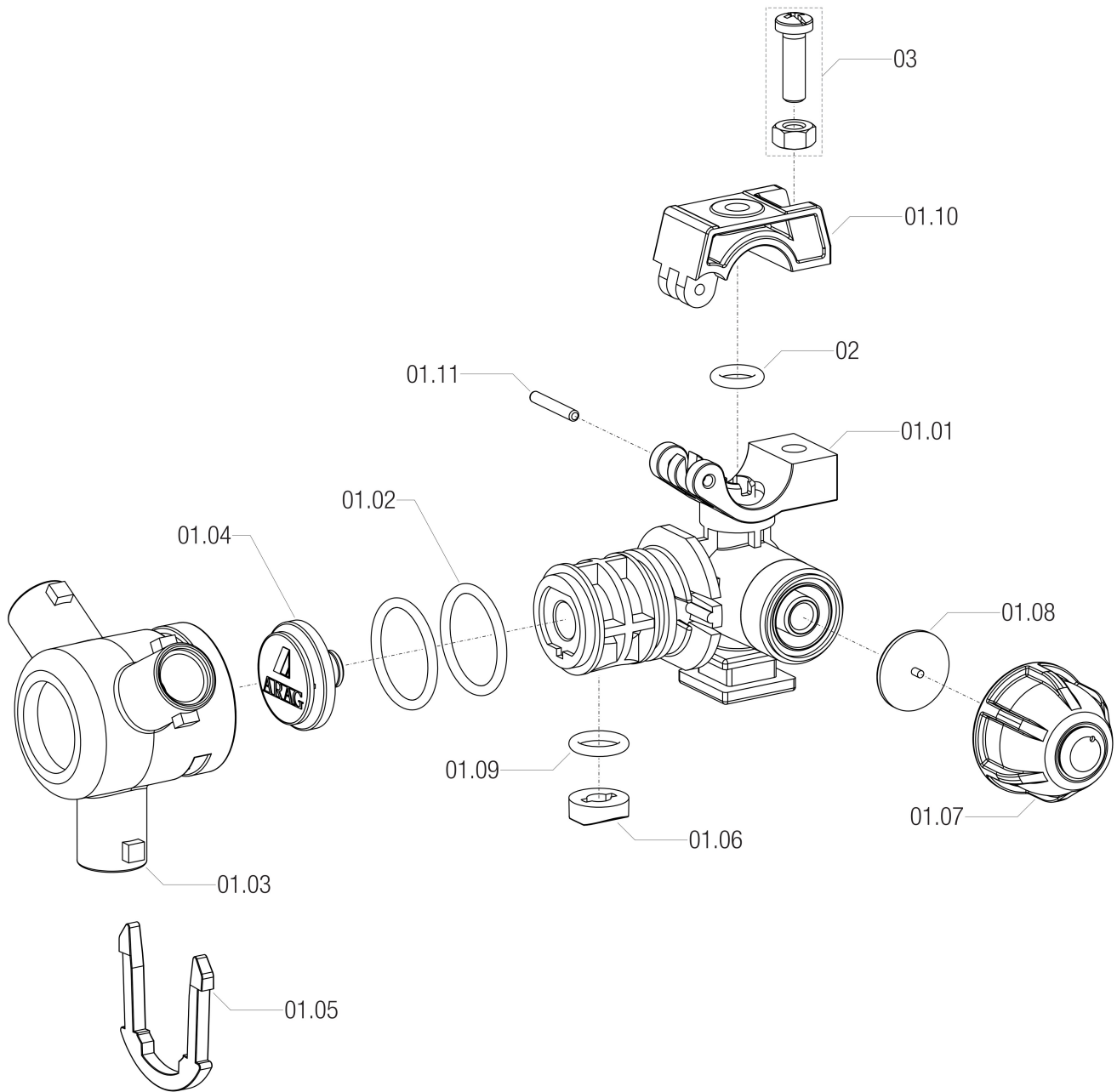
40642W7

3-WAY COMPACT JET DIAMETER 1/2" DIAMETER DRY-BOOMS

NOZZLE HOLDERS FOR DRY BOOMS COMPACT-JET
3 ways nozzle holder with diaphragm check valve



SPARE PARTS



REFERENCE	CODE	DESCRIPTION	REFERENCE	CODE	DESCRIPTION
01.01	40640W5.010	C.JET BODY D1/2 DRY	01.08	005860.036	ANTI-DRIP DIAPHRAGM EPDM
01.02	G11058	ORING 2,62X25,07 EPDM	01.09	G10021	OR 2,62X10,78 EPDM
01.03	4064200.020	3-WAY COMPACT-JET QUICK COUPLING	01.10	400535.020	SWIVEL FLAT CLAMP D.1/2"
01.04	4064000.530	BUTTON FOR COMPACT-JET WITH GASKET	01.11	400530.040	CLAMP PIN
01.05	4062000.040	ELASTIC FORK FOR NOZZLE HOLDER	02	G11057	OR 2,62X9,13 EPDM
01.06	4064000.050	NOZZLE HOLDER GASKET EPDM 90SH	03	400101	KIT BOLT AND NUT M6 * INOX
01.07	402012.100	RED CHECK VALVE 0,5B BLACK PLUNGER			