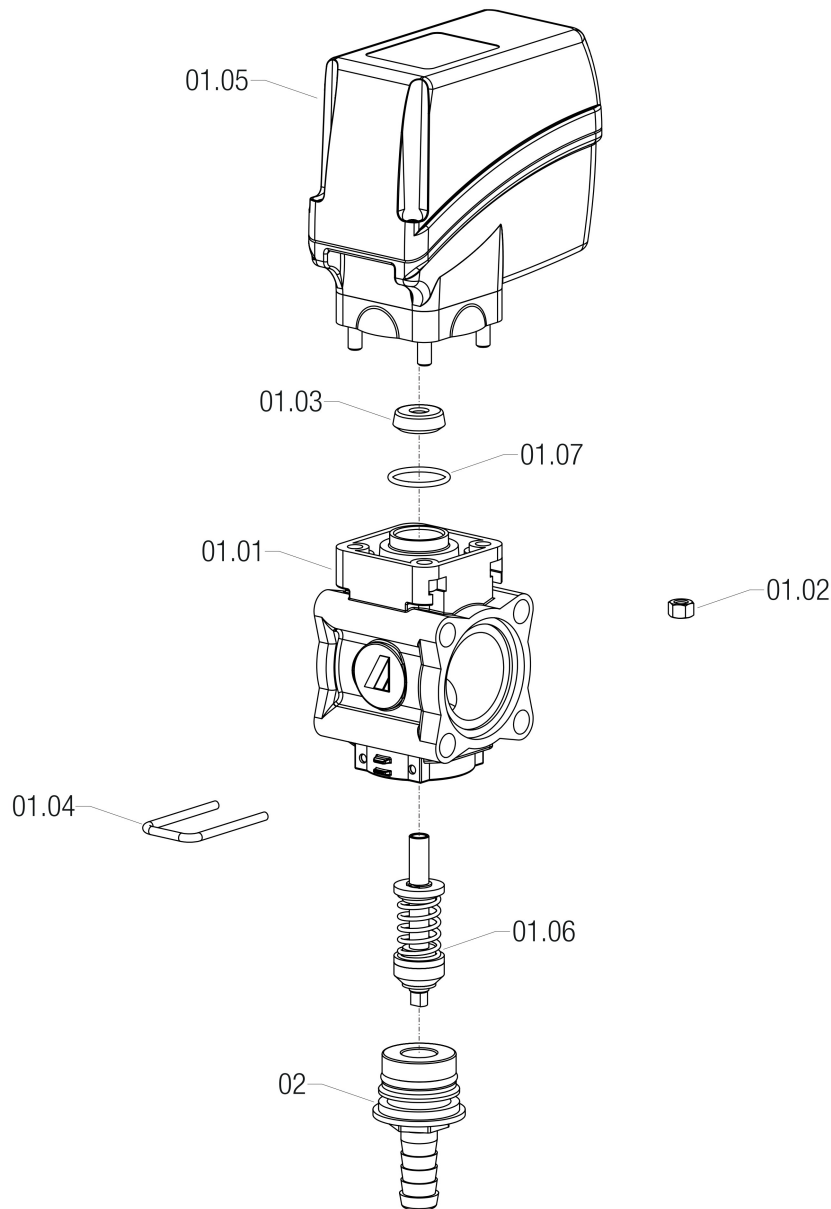


8630001

BOOM SECTION VALVES 863
Electric boom section valve


SPARE PARTS



| REFERENCE | CODE | DESCRIPTION | REFERENCE | CODE | DESCRIPTION | |
|-----------|-------------|--|-----------|-------------|--------------------------------------|--------------------------------------|
| 01.01 | 4630001.010 | SIMPLE VALVE BODY | | 463001.B70 | THREAD. HOSETAIL 3/4" M X 463 + OR | |
| 01.02 | B10232 | NUT M 5X8X5 UNI5587 * INOX | | 463001.B75 | THREAD. HOSETAIL 3/4" F X 463 + OR | |
| 01.03 | 465900.180 | GASKET 4X18,7X6,6 VITON | | 463001.B75N | THREAD. HOSETAIL 3/4" F NPT 463 + OR | |
| 01.04 | 010002 | FORK D.3 DIST.23 | | 463001.A25M | HOSE BARB D.25 X VALVE 463 D14 +OR | |
| 01.05 | 8650900 | MOTOR. R=1.24 12W 5,5MM | | 02 | 463001.A19 | HOSETAIL D.19 FOR VALVE 463 C/W OR |
| 01.06 | 463001.550 | PLUNGER KIT FOR 463001 | | | 463001.A19M | HOSE BARB D.19 X VALVE 463 C/W OR |
| 01.07 | 465900.060 | OR 1,78X18,77 70SHORE VITON | | | 463001.B40A | THREADED HOSETAIL 1" G M D.12,5 + OR |
| | 463001.A13 | HOSE BARB D.13 FOR UNIT 463 C/W OR | | | 463001.C10 | CURVED HOSE PTG D.10X463 W/OR |
| | 463001.A10 | HOSE BARB D.10 FOR UNIT 463 C/W OR | | | 463001.C13 | CURVED HOSE PTG D.13 FOR 463 W/OR |
| 02 | 463001.A16 | HOSE BARB D.16 FOR VALVE 463 C/W OR | | 02.01 | 465005.140V | GASKET (OR) 22,2X2,62 * VITON |
| | 463001.B40M | THREAD. HOSETAIL 1" G M VALVE 463 W/OR | | | | |