

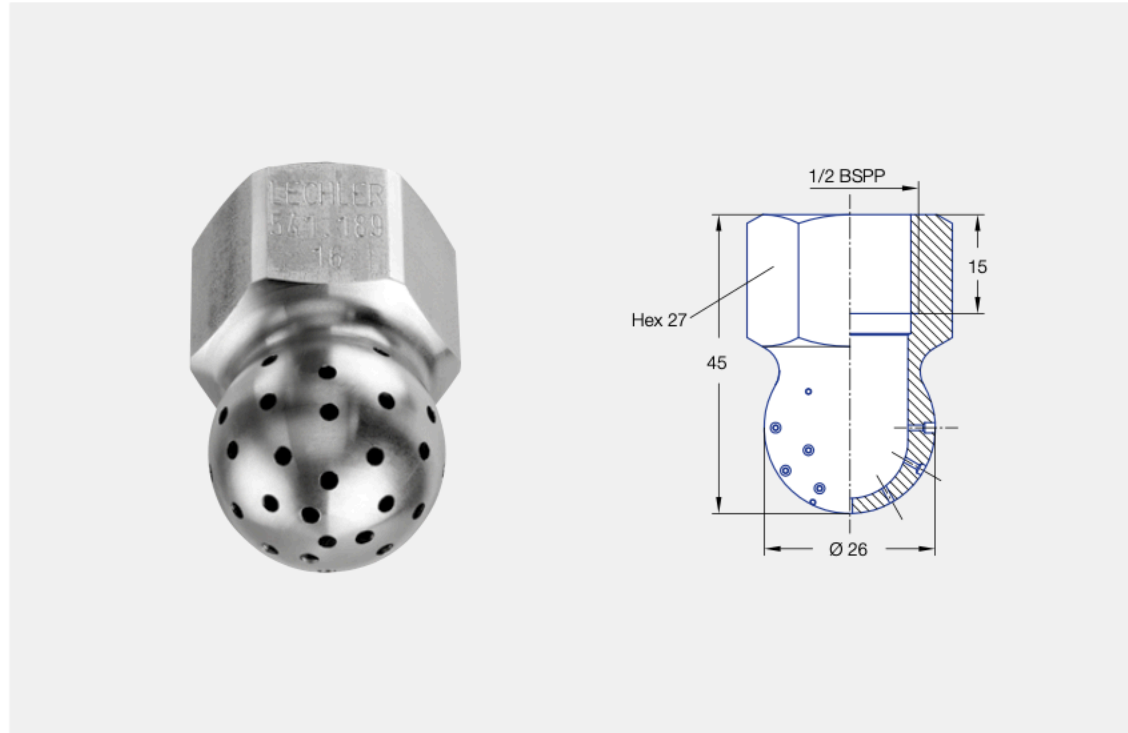


Static spray ball Series 540/541

Static multichannel solid jet nozzle.

Advantages

- Ideal for rinsing containers
- Compact design
- Self-draining
- No moving parts and thus fault-free
- Easy to inspect



Spray angle
240°



Material
Solid stainless steel,
PVC



Pressure range
2 – 3 – 10 bar




Operating principle
Static



Installation
Operation in every
direction is possible



Max. tank diameter
7.5 m

	Order no.	l/min					Max. tank diameter [m]
		2.0 bar	3.0 bar	4.0 bar	5.0 bar	10.0 bar	
240° 	540.909.16 ¹	18.0	22.0	25.4	28.5	40.2	6.5
	540.989.16 ¹	28.0	34.3	39.6	44.3	62.6	7.0
	541.109.16	57.0	69.8	80.6	90.1	127.5	7.5

¹ Also available in PVC